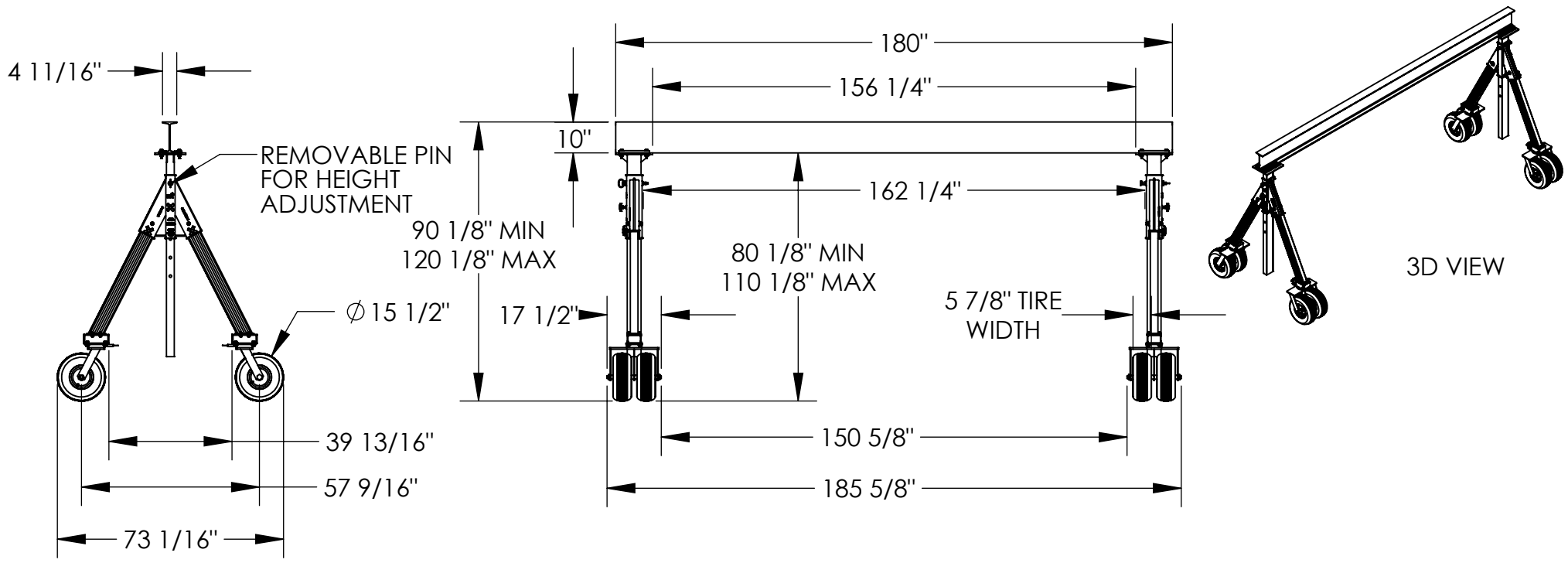


ADJ. ALUMINUM GANTRY CRANE WITH DUAL TIRE PNEUMATIC CASTERS - AHA-4-15-8-PNU

APPROX WEIGHT: 502.79 lbs.
(DOES NOT INCLUDE WEIGHT OF POWER OR PACKAGING!!!)

*** ANY ADDITIONS, DELETIONS, OR OMISSIONS MUST BE CORRECTED ON THIS DRAWING AS THIS DRAWING WILL BE CONSIDERED ALL INCLUSIVE ***
ALL GRAPHICS PROVIDED ARE FOR REFERENCE ONLY. IF CERTAIN DIMENSIONS ARE CRITICAL PLEASE VERIFY THOSE DIMENSIONS WITH YOUR SALESPERSON



STANDARD FEATURES

- MODEL NUMBER IS AHA-4-15-8-PNU
- CAPACITY IS 4,000 LBS.
- BASE WIDTH IS 39 13/16"
- MAX OVERALL HEIGHT IS 120 1/8"
- I-BEAM HEIGHT IS 10"
- I-BEAM WIDTH IS 4 11/16"
- OVERALL I-BEAM LENGTH IS 180"
- USABLE I-BEAM LENGTH IS 156 1/4"
- ADJUSTABLE UNDER I-BEAM HEIGHT 80 1/8"
- HEIGHT IS ADJUSTABLE IN 6" INCREMENTS
- (4) ϕ 15 1/2" DUAL TIRE PNEUMATIC CASTERS (SWIVEL WITH (4) LOCKING POSITIONS)
- PNU MODELS ARE 12" TALLER THAN STANDARD
- AHA UNITS OF THE SAME HEIGHT DESIGNATION ALUMINUM CONSTRUCTION

SPECIAL FEATURES

NONE

DIMENSION TOLERANCE \pm 1/4"

A P P R O V A L

I, THE UNDERSIGNED, AGREE THAT THE PRODUCT AS REPRESENTED SATISFIES DESIGN AND DIMENSION REQUIREMENTS. I ALSO ACKNOWLEDGE MY DUTY TO CONFIRM PRODUCT AND INSTALLATION COMPLIANCE WITH ALL APPLICABLE FEDERAL, STATE AND LOCAL REGULATIONS AND STANDARDS.

UNITS REQUIRING APPROVAL DRAWINGS OR MODIFIED ARE NON-RETURNABLE

As drawn As marked

Signed: _____ Date: _____

Printed Name: _____

LEAD TIME WILL START UPON RECEIPT OF SIGNED APPROVAL DRAWING

DISTRIBUTOR'S NAME:		P.O.#
VESTIL MANUFACTURING		X
DRAWN BY: MTS		DATE: 01/29/2021
REFERENCE: X		SCALE: 1:48
QUOTED LEAD TIME: X		QUOTE # X
		SALES: X
		FILE NAME: 28-007-468